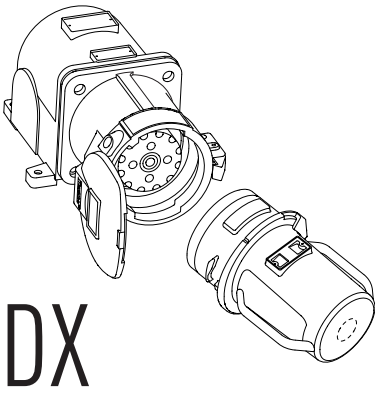


ENGLISH OPERATING INSTRUCTIONS



©2018 MELTRIC Corporation. All rights reserved.

INSDX I

A manufacturer of products using Marechal technology



GENERAL

MELTRIC's DX Series plugs & receptacles are designed for industrial use according to IEC/EN 60309-1. They are designed for applications where rugged metal construction is required and when there is a need for amperages up to 100A. Follow the instructions below to ensure the proper installation and use of this product.

⚠ WARNING There are inherent dangers associated with electrical products. Failure to follow safety precautions can result in serious injury or death. These instructions must be followed to ensure the safe and proper installation, operation and maintenance of the MELTRIC devices. Before installation, disconnect all sources of power to the circuit to eliminate the risk of electrical shock.

RATINGS & CERTIFICATIONS

⚠ To ensure the safe use of this product, the installer must verify that the product is properly rated for the application.

The amperage, voltage, temperature, and environmental ratings are indicated on the product label.

MELTRIC's DX Series plugs and receptacles are ATEX-rated in accordance with the European ATEX Directive (94/9/EC).

The ATEX rating certifies the product for use in surface (non-underground) applications where a high level of protection is required and where the presence of an explosive atmosphere is likely to occur (Zone 1 and Zone 21 environments). It's suitable for installation in areas that may contain flammable gases, vapors, mists, or dusts, including subdivision C gases. The product possesses explosion protection and is provided with 'e' increased safety in the conductor termination area and 'd' explosion proof chambers for making and breaking electrical current that can withstand the pressure of internal ignition. It also can prevent arcs, flame or other ignition events from being communicated to the surrounding atmosphere. The maximum allowable surface temperature of the product is 85°C (185°F) at 40°C (104°F) ambient.

INSTALLATION

⚠ DX Series devices must be used in conjunction

with other appropriately rated hazardous duty products and must be installed by qualified electricians and in accordance with all applicable local and national electrical codes.

Before installing, verify that (1) the power is off, (2) the product ratings are appropriate for the application, and (3) the conductors meet the requirements of the National Electric Code and are within the capacities of the DX terminals noted in **Table 1**.

Table 1 - Wiring Terminal Capacity¹ (in AWG)

Device		Main Contacts	
		Min	Max
DX1	- 20A	14	8
DX3	- 32A	14	8
DX6	- 63A	6	1
DX9	- 125A	2	2/0

¹ Capacity is based on THHN wire sizes

General Installation Notes & Precautions

- Wire strip lengths are indicated in **Table 2**. Strip lengths for cable sheathing will depend on the specific application. When used with handles, the cable sheathing should extend into the handle to ensure secure cord gripping.

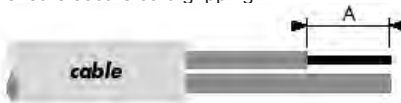


Table 2 - Wire Strip Length – Dimension A

Device		Phase & Neutral Conductor		Earth Conductor	
		Inches	mm	Inches	mm
DX1	20A	0.79	20	0.79	20
DX3	32A	0.79	20	0.79	20
DX6	63A	1 1/16	27	1 3/16	30
DX9	125A	1 3/8	35	1 3/16	30

- Wiring terminals are spring assisted to prevent loosening due to wire strand settlement, vibration and thermal cycling. **NOTICE:** They should not be overtightened. Appropriate tools and tightening torques are indicated in **Table 3**. Wiring must be made according to applicable national installation standards. Follow all conductor coding and terminal marking standards. Back out terminal screws far enough (but not completely) to allow a complete insertion of conductors. **⚠** All metal parts must be connected to Earth ground.

Table 3 - Terminal Screw Tightening Torques

Device/Contact	Torque Required		Flat
	In. lb	N-m	Screwdriver
DX1 (20 A)	11	1.3	4 x 1 mm
DX3 (32 A)	11	1.3	4 x 1 mm
DX6 (63 A)	26	3	6 x 1.2 mm
DX9 (125 A)	53	6	6 x 1.2 mm

- Only handles with supplied cord grips may be used in order to maintain proper ATEX ratings.

Table 4 - Cord Grip Cable Tightening Range

Suffix #	Range	
	Inches	mm
-20M	0.31 - 0.51	8 - 13 mm
-25M	0.35 - 0.63	9 - 16 mm
-32M	0.47 - 0.83	12 - 21 mm
-40M	0.63 - 1.06	16 - 27 mm
-50M	0.91 - 1.38	23 - 35 mm
-63M	1.42 - 1.89	36 - 48 mm

Assembly for In-line Plugs/Connectors

⚠ Do not overtighten terminal or self-tapping screws. Tighten screws to the proper torque to ensure a secure connection. Insert cable through handle (connector) or remove plug interior molding from the front and insert cable through plug

body (plug/inlet). Strip the cable sheath as required to provide a workable wire length while being aware that the strain relief must clamp on the cable sheath. Strip the individual wires to the lengths indicated in **Table 2** and twist the strands of each conductor together. Back out the terminal screws on the receptacle (or inlet) only far enough to allow the conductors to pass. Insert the conductors fully into their respective terminals and tighten the terminal screws with a hand screwdriver to the torque indicated in **Table 3**. Verify that the cable jacket will extend beyond the strain relief and into the handle. Assemble the receptacle (or connector) to the handle. Adjust the cable location so that it will not be under tension inside the handle and tighten the compression nut to secure the cable. After assembly, the cable sheath must extend into the handle. Assemble handle with supplied screws and gasket (connector) or assemble interior molding into plug casing (plug) and tighten cord grip (cable gland). Cord grip cable tightening ranges are indicated in **Table 4**. While clamping or anchoring, the conductors inside the handle must not be tight.

NOTICE: For a proper clamping the use of PVC cables is not recommended.

Assembly for Mounted Receptacles (or Inlets)

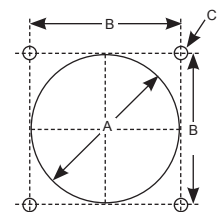
In applications where DX receptacles are mounted to wall boxes, panels or other equipment, optimal operation is achieved when the device is installed with the pawl latch at the top. (However, if the receptacle is mounted to the MELTRIC surface box accessory, the pawl latch will be on the bottom due to the vertical orientation of the box/receptacle.)

NOTICE: if the DX device is mounted to a wall box, make sure that hole plugs are securely tightened in any unused connection holes.

All wires brought into a MELTRIC wall box or hazardous duty box/panel must be connected in accordance with all approved local and national electrical codes based on the rating of the hazardous location environment. The individual wire insulators should be stripped off based on the dimensions given in **Table 2**. Then, twist the strands of each conductor together. Back out the terminal screws on the receptacle (or inlet) far enough to allow the conductors to pass and insert the conductors fully into their respective terminals. Tighten the terminal screws with a hand screwdriver to the torque indicated in **Table 3**. Assemble the receptacle (or inlet) on adapter or wall box, using gaskets and screws provided. When not in use, ensure that the protective cap or lid supplied is properly secured to prevent environmental contamination. Assemble the mating plug (or inlet) to the cord end as indicated in the assembly instructions for in-line connections. In cases where custom mounting is being performed to an appropriate hazardous duty box or panel, the clearance and mounting holes should be drilled as indicated in the next section, Hole Pattern for Custom Mounting.

Hole Pattern for Custom Mounting

NOTICE: In order to maintain IP65 protection in custom installations, watertight seals must be used under the heads of the four mounting bolts and they must be retained by a lock washer and nut on the inside of the box or panel. The hole depth must be sufficient to achieve adequate gasket compression. Refer to the following instructions and drawing for the assembly of the plug/receptacles or inlets on 'e' increased safety boxes, panels or enclosures:



Device	A		B		C	
	Inches	mm	Inches	mm	Inches	mm
DX1	4.3	109	3.62	92		M6
DX3	4.3	109	3.62	92	1/4	M6
DX6	5.9	150	4.80	122	5/16	M8
DX9	5.9	150	4.80	122	5/16	M8

OPERATION

! To ensure a safe and reliable operation, MELTRIC's DX Series plugs & receptacles must be used in accordance with their assigned electrical and Ex ratings, as well as their IP ratings according to IEC/EN 60309-1.

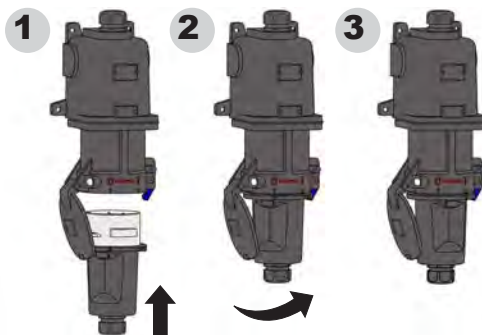
They can only be used in conjunction with mating receptacles or plugs manufactured by MELTRIC or another licensed producer of products bearing the **MARECHAL** technology trademark.

MELTRIC plugs & receptacles are designed with different keying arrangements so that only plugs and receptacles with compatible contact configurations and electrical ratings will mate with each other. When not in use, the receptacle is shielded by a protective lid to prevent the entry of dust and moisture. This is held in the closed position by a latch.

Connection

To connect a plug and receptacle, first depress the pawl to release the lid on the receptacle, then orient the plug so that the colored mark on the outside ridge of the plug casing lines up with the Ø or unlock symbol on the receptacle casing. Push the plug in partially into the receptacle until it hits a stop Fig. 1. At this point, the circuit is still open. To close the circuit, turn the plug clockwise Fig. 2 until it hits another stop after about 30° of rotation. Fig 3.

NOTICE: When making a connection, ensure that the plug latch is secured behind the catch on the pawl. A properly connected plug cannot be pulled out of the receptacle.



Disconnection

To break the connection, depress the pawl and rotate the plug counterclockwise about 30° until it hits a stop. At this point, the electrical circuit is open. To fully remove the plug, depress the pawl and pull the device straight out. The self-closing lids on the receptacles may need to be manually latched to ensure optimal environmental ratings.

Achieving Rated Watertightness

MELTRIC's DX Series plugs & receptacles have an IP65 rating for protection against ingress of water, dust and other matter. IP65 provides total protection against dust and water jets. These ratings apply when the plug and receptacle are mated. They also apply to the receptacle alone, provided that its lid is latched in the closed position. Optional plug caps are available for providing IP65 protection on unmated plugs.

LOCKOUT PROVISIONS

All DX receptacles are provided with padlocking lockout provisions. To operate, insert the 3 hole shaft through the hole under the receptacle pawl. Place user supplied lock or lockout hasp through one of the holes. This system may be used to lock mated devices together to prevent unintended disconnection or to prevent mating of devices by locking the receptacle lid closed.

NOTICE: Attaching the receptacle locking device with the lid open will not prevent the insertion of a plug. Lockout is only accomplished when the lid is locked closed.

MAINTENANCE

! **WARNING** Before inspecting, repairing, or maintaining MELTRIC products, disconnect electrical power to the receptacle to eliminate the risk of electrical shock. Any replacement of DX components must be performed under the control of the manufacturer: MELTRIC Corporation.

MELTRIC products require little on-going maintenance. However, it is a good practice to periodically perform the following general inspections:

- Check the mounting screws for tightness.
- Verify that the weight of the cable is supported by the strain relief mechanism and not by the terminal connections.
- Check the IP gaskets for wear and resiliency. Replace as required.
- Verify the electrical continuity of the ground circuit.
- Check the inlet contact surfaces for cleanliness and pitting.

Deposits of dust or similar foreign materials can be rubbed off the contacts with a clean cloth. Sprays should not be used, as they tend to collect dirt. If any significant pitting of the contacts or other serious damage is observed, the device should be replaced.

DECLARATION OF CONFORMITY

DX Series plugs/receptacles use the **MARECHAL** technology. They have been designed, manufactured and controlled in a strict respect of the relevant international and European standards, laws and directives, and particularly of the European ATEX Directive. They bear the CE marking whenever applicable. They also bear the markings of their explosion-proof (Ex) classification.

Note: The CE marking does not apply to spare parts and components supplied separately.

MANUFACTURER'S RESPONSIBILITY

MELTRIC's responsibility is strictly limited to the repair or replacement of any product that does not conform to the warranty specified in the purchase contract. MELTRIC shall not be liable for any penalties or consequential damages associated with the loss of production, work, profit or any financial loss incurred by the customer.

MELTRIC Corporation shall not be held liable when its products are used in conjunction with products not bearing the **MARECHAL** technology trademark. The use of MELTRIC products in conjunction with mating devices that are not marked with the **MARECHAL** technology trademark shall void all warranties on the product.

MELTRIC Corporation is an ISO 9001 certified company. Its products are designed, manufactured and rated in accordance with applicable UL, CSA and IEC standards. MELTRIC designs and manufactures its products in accordance with Marechal keying standards established to ensure intermateability with similarly rated products manufactured by Marechal Electric Group.

MARECHAL ELECTRIC S.A.
5, avenue de Prastes
F-94417 SAINT-MAURICE Cedex - France
Tel : +33 (0)1 45 11 60 00
Fax : +33 (0)1 45 11 60 60
E-mail : contact@marechal.com

CE - Déclaration de conformité
EC - Declaration of conformity

Nous / we

MARECHAL ELECTRIC S.A.
5, avenue de Prastes
F-94417 SAINT-MAURICE Cedex - France
Tel : +33 (0)1 45 11 60 00
Fax : +33 (0)1 45 11 60 60
E-mail : contact@marechal.com

Déclarons que nos produits / Declares that our products:

Type	Intensité Current	Prises de courant industrielles / Industrial plugs and socket-outlets	Marquage Marking	Conformes aux normes suivantes : Complies with the following standards:
DX1	20 A	2 G D -25°C ≤ Ta ≤ +80°C -25°C ≤ Ta ≤ +50°C	Ex de IIC ID A21 T5 T84°C T8 T74°C LCIE 05 ATEX 6127	EN 60309-1:1999 + A1:2007 (Norme produit / Product standard) EN 60079-0:2009 (*) EN 60079-1:2007 EN 60079-7:2007 EN 60079-31:2009 (*)
DX3	32 A			
DX6	63 A	2 G D -40°C ≤ Ta ≤ +80°C -40°C ≤ Ta ≤ +50°C	Ex de IIC ID A21 T5 T90°C T8 T80°C LCIE 04 ATEX 6038	EN 60079-0:2009 (*) EN 60079-1:2007 EN 60079-7:2007 EN 60079-31:2009 (*)
DX9	125 A			
DX2	200 A	2 G D -40°C ≤ Ta ≤ +80°C	Ex de IIC ID A21 T3 T81°C LCIE 04 ATEX 6036	

(*) - Une étude comparative des normes EN 60079-0 (version 2009 et 2009), EN 61241-0:2006 intégrée dans la norme EN 60079-0:2009 et EN 61241-1:2004 remplacée par la norme EN 60079-31:2009 montre que le matériel n'est pas concerné par les modifications substantielles.
 A comparative study of the standards, EN 60079-0 (version 2009 and 2009), EN 61241-0:2006 incorporated in EN 60079-0:2009 and EN 61241-1:2004 replaced by EN 60079-31:2009 shows that the products are not concerned by the substantial modifications.

Satisfait aux dispositions de la Directive du Conseil / Satisfies the provisions of Council Directive: **ATEX N° 94/9/CE du 23 mars 1994**
ATEX N° 94/9/EC March 23 1994

Année d'apposition de marquage CE / Affixing date of CE-marking: **2005**

avec les caractéristiques de étanchéité suivantes / with the following watertightness characteristics: **IP65**

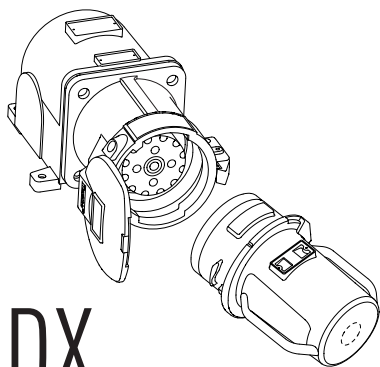
N° de Notification de l'évaluation relatif à la Qualité - LCIE 03 ATEX Q 5001 selon l'Annexe IV réalisé par l'organisme notifié N° 0081 - LCIE - 33 avenue du Général Ledecq - 92260 Fontenay-Aux-Roses - France
 Quality Assessment Number: LCIE 03 ATEX Q 5001 according to Annex IV carried out by notified Body N° 0081 - LCIE - 33 avenue du Général Ledecq - 92260 Fontenay-Aux-Roses - France

Saint-Maurice, 16/11/2012

Anne LE GUENNEC
 Responsable ATEX / ATEX Manager

S.A. au capital de 6200000 - SIRET 540 677 500 0001 - TVA n° FR 16 540 677 500 0002

ESPAÑOL INSTRUCCIONES DE OPERACIÓN



DX

©2018 MELTRIC Corporation. All rights reserved.

INSDX I

A manufacturer of products using Marechal technology



GENERALIDADES

La serie de tomacorrientes y clavijas DX están diseñadas para uso industrial de acuerdo a IEC-EN60309-1. Fueron creadas para usarse en aplicaciones donde se requiere la robustez de la construcción metálica y cuando se requiere de amperajes hasta de 100A. Siga las siguientes instrucciones, para la adecuada instalación y uso de este producto.

ADVERTENCIA Hay peligros inherentes asociados con los productos eléctricos. El no seguir las precauciones de seguridad puede resultar en lesiones graves o muerte. Deberá de seguir estas instrucciones para mantener una instalación apropiada y segura, en el uso y mantenimiento de los dispositivos MELTRIC. Antes de instalar, desconecte todas las fuentes de energía del circuito para eliminar el riesgo de una descarga eléctrica.

RANGOS

Para garantizar el uso seguro de este producto, el instalador deberá verificar si el dispositivo está correctamente seleccionado para la aplicación.

Los rangos de voltaje, corriente, temperatura y hermeticidad, están indicados en la etiqueta del dispositivo.

Los tomacorrientes y clavijas DX de MELTRIC, están clasificados de acuerdo a las normas europeas de ATEX (94/9/EC).

La clasificación ATEX certifica el producto para uso en aplicaciones de superficie (no bajo tierra) donde se requiere un alto nivel de protección y donde puede existir la presencia de una atmósfera explosiva (Ambientes Zona 1 y Zona 21). Son adecuadas para su instalación en áreas que pueden contener gases, vapores, nieblas o polvos inflamables, inclusive los gases de la subdivisión C. El producto cuenta con protección contra explosión y provee seguridad aumentada en el área de las terminales para cable "e" y con cámaras a prueba de explosión para abrir y cerrar la corriente eléctrica, pudiendo soportar las presiones por una ignición interna "d". También pueden evitar la transmisión a la atmósfera circundante de arcos, flamas y otros eventos de ignición. La máxima temperatura permitida en la superficie del producto es de 85° C (185° F) en un ambiente de 40° C (104° F).

INSTALACIÓN

Los dispositivos DX deben ser utilizados en conjunto con otros productos clasificados apropiadamente para áreas peligrosas además deben ser instalados por un electricista calificado, de acuerdo con la aplicación de las normas eléctricas locales y nacionales.

Antes de empezar, (1) asegúrese que el circuito está desenergizado, (2) que el rango del producto es adecuado para la aplicación y (3) verifique que los conductores cumplan con los requisitos de las Normas Eléctricas Nacionales y que están dentro de la capacidad de las terminales de los dispositivos DX indicados en la **Tabla 1**.

Tabla 1 - Capacidad del Alambrado de las Terminales¹ (en AWG)

Dispositivo		Contactos Principales	
		Min	Max
DX1	- 20A	14	8
DX3	- 32A	14	8
DX6	- 63A	6	1
DX9	- 125A	2	2/0

¹ Capacidad basada en calibres de conductores THHN

Notas y Precauciones Generales para su Instalación

- El largo de los conductores requeridos sin aislamiento se indica en la **Tabla 2**. El largo del cable sin aislamiento dependerá de la aplicación específica. Cuando se utiliza con manijas, e revestimiento del cable deberá extenderse dentro de la manija para asegurar una sujeción segura.



Tabla 2 - Largo de los Conductores sin Aislamiento - Dimensión A

Dispositivo	Fase y Neutro Conductor	Tierra Conductor	
		Pulgadas	mm
DX1	20A	0.79	20
DX3	32A	0.79	20
DX6	63A	1 1/16	27
DX9	125A	1 3/8	35

- Las terminales de conexión están asistidas por resorte para prevenir el aflojamiento de los conductores, debido a asentamiento, vibración o ciclos térmicos. **AVISO:** No se deberá de dar un apriete excesivo a las mismas. Deberán de ser utilizadas herramientas apropiadas y torques específicos como se indica en la **Tabla 3**. El cableado deberá de hacerse de acuerdo a las normas nacionales aplicables para instalación. Siga todas las normas para la codificación y marcado de terminales. Afloje los tornillos de las terminales (sin extraerlos completamente) para permitir la inserción completa del conductor.

⚠ Todas las partes metálicas deberán de conectarse efectivamente a tierra.

Tabla 3 - Torques para los Tornillos de las Terminales

Dispositivo	Torque Requerido		Desarmador Plano
	En. libras	N-m	
DX1 (20 A)	11	1.3	4 x 1 mm
DX3 (32 A)	11	1.3	4 x 1 mm
DX6 (63 A)	26	3	6 x 1.2 mm
DX9 (125 A)	53	6	6 x 1.2 mm

- Solo se deberán usar manijas con los conectores tipo glándula suministrados, para mantener adecuadamente las clasificaciones ATEX.

Tabla 4 - Rango de Capacidad de Cable del Conector tipo Glándula

Sufijo #	Rango	
	Pulgadas	mm
-20M	0.31 - 0.51	8 - 13 mm
-25M	0.35 - 0.63	9 - 16 mm
-32M	0.47 - 0.83	12 - 21 mm
-40M	0.63 - 1.06	16 - 27 mm
-50M	0.91 - 1.38	23 - 35 mm
-63M	1.42 - 1.89	36 - 48 mm

Ensamble para Tomacorrientes y Clavijas Tipo Extensión

⚠ No sobre apriete las terminales o los tornillos autorroscantes. Apriete los tornillos a su torque apropiado para mantener una conexión segura.

Inserte el cable a través de la manija del tomacorriente o remueva el interior moldeado de la clavija desde el frente e inserte el cable a través del cuerpo de la tomacorriente/clavija. Retire la cubierta del cable según sea necesario para mantener una longitud adecuada, estando consiente que el relevador de esfuerzos se debe sujetar sobre la cubierta del cable. Retire el aislamiento individual de los conductores de acuerdo a lo indicado en la **Tabla 2** y tuerza los hilos de cada conductor. Afloje los tornillos de las terminales del tomacorriente o clavija, solo lo necesario para permitir la entrada del conductor. Inserte los conductores hasta el fondo en sus respectivas terminales y apriete los tornillos de las terminales con un desarmador al torque indicado en la **Tabla 3**. Verifique que la cubierta del cable se extiende por dentro del opresor del conector tipo glándula dentro de la manija. Ensamble la manija al tomacorriente o clavija. Ajuste la posición del cable para que no quede tensionado dentro de la manija y apriete la tuerca de compresión para asegurar el cable. Después de ensamblar, la cubierta del cable debe extenderse dentro de la manija. Ensamble la manija y el empaque al tomacorriente con los tornillos proporcionados o ensamble el interior moldeado al envolvente de la clavija y apriete el conector tipo glándula. Los rangos de capacidad del cable se indican en la **Tabla 4**. Mientras se fija o sujeta, los conductores dentro de la manija no deben de tensionarse.

AVISO: Para la correcta fijación, no se recomienda el uso de cables con cubierta de PVC.

Ensamble para Montaje de Tomacorrientes (o Clavijas)

En aplicaciones donde los tomacorrientes o clavijas DX son instalados en cajas para montaje en pared, tableros y otros equipos, la optima operación se logra cuando el dispositivo se instala con gatillo hacia la parte superior. (Sin embargo, si el tomacorriente es montado en una caja de sobreponer MELTRIC (suministrada como accesorio), el gatillo puede quedar en la parte inferior, debido a la orientación vertical de la caja/tomacorriente)

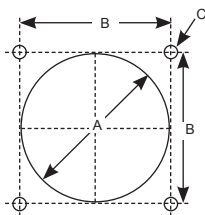
AVISO: Si el dispositivo DX es montado en una caja de conexiones para montaje en pared, asegúrese de que los tapones apropiados estén colocados, apretados y bien sellados, en los barrenos de conexión no utilizados.

Todos los cables instalados dentro de una caja de conexiones para montaje en pared de MELTRIC, en una caja para áreas peligrosas o tablero, deberán conectarse de acuerdo con los lineamientos de las normas locales y nacionales, basados en la evaluación del ambiente peligroso en sitio. Deberá retirar el aislamiento individual de los conductores en base al dimensionamiento dado en la **Tabla 2**. Después, tuerza los hilos de cada conductor. Afloje los tornillos de las terminales del tomacorriente o clavija, solo lo necesario para permitir la entrada del conductor. Inserte los conductores hasta el fondo en sus respectivas terminales y apriete los tornillos con un desarmador al torque indicado en la **Tabla 3**. Ensamble el tomacorriente o clavija en el adaptador o la caja de con-

exiones para montaje pared, usando los empaques y tornillos suministrados. Cuando no esté en uso, asegúrese que el tapón o tapa de protección suministrada, quede asegurada adecuadamente para prevenir la contaminación. Ensamble el cable en el tomacorriente o clavija, como se indica en las instrucciones para ensambles tipo extensión. En los casos en donde se realice un montaje especial, ya sea en cajas apropiadas para áreas peligrosas o en tableros, el espacio y los barrenos de montaje deberán taladrarse, como se indica en la siguiente sección. Patrón de Barrenado para Montaje Especial.

Patrón de Barrenado para Montaje Especial

AVISO: Para mantener la protección IP65 requerida en instalaciones especiales, se deberán de utilizar sellos a prueba de agua en las cabezas de los cuatro tornillos de montaje, debiendo ser retenidos por una rondana de presión y una tuerca en el interior de la caja de conexiones o tablero. La profundidad de la perforación deberá de ser suficiente, para asegurar la adecuada compresión del empaque. Consulte las siguientes instrucciones y dibujos para ensamblar los tomacorrientes y clavijas en cajas de seguridad aumentada "e", tableros o recintos:



Dispositivo	A		B		C	
	Pulg.	mm	Pulg.	mm	Pulg.	mm
DX1	4.3	109	3.62	92	1/4	M6
DX3	4.3	109	3.62	92	1/4	M6
DX6	5.9	150	4.80	122	5/16	M8
DX9	5.9	150	4.80	122	5/16	M8

OPERACIÓN

Para asegurar la operación segura y adecuada, los tomacorrientes y clavijas DX de MELTRIC, deberán usarse de acuerdo a sus clasificaciones eléctricas y Ex asignadas. Así también a su rango de hermeticidad IP según IEC-EN 60309-1.

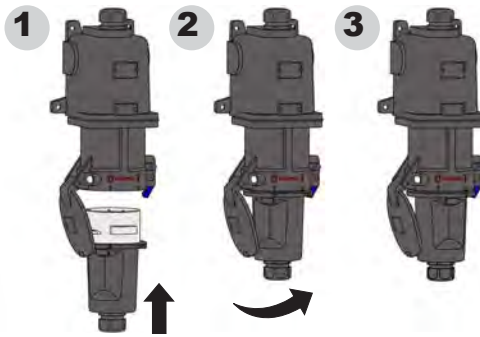
Solo pueden utilizarse en conjunto con tomacorrientes y clavijas MELTRIC y otro fabricante autorizado de los productos que ostenten la marca registrada **MARECHAL**.

MELTRIC diseña sus tomacorrientes y clavijas con posiciones de bloqueo diferentes de tal manera que solo las clavijas y tomacorrientes que tienen las mismas configuraciones de contactos y voltajes pueden acoplarse entre sí. Cando no están en uso, el tomacorriente esta protegido por una tapa para prevenir la entrada de polvo y suciedad. Esto se efectúa en posición cerrada mediante el gatillo.

Conexión

Para conectar la clavija en el tomacorriente, primero presione el botón en el gatillo para abrir la tapa del tomacorriente, luego oriente la clavija de modo que la marca de color en el canto exterior de la clavija, se alinee con la marca Ø ó el símbolo de desbloqueo en el envoltorio del tomacorriente. Presione la clavija parcialmente dentro del tomacorriente, hasta el tope Fig. 1. En este punto, el circuito permanece abierto. Para cerrar el circuito, gire la clavija en el sentido de las manecillas del reloj Fig. 2 hasta llegara otro tope después de girar cerca de 30° Fig. 3.

AVISO: Cuando haga la conexión, asegúrese que el pestillo de la clavija queda asegurado en el gatillo. Una clavija adecuadamente conectada, no puede ser removida del tomacorriente.



Desconexión

Para abrir la conexión, presione el botón en el gatillo y gire la clavija 30° en el sentido contrario de las manecillas del reloj hasta el tope. En este punto, el circuito está abierto. Para remover totalmente la clavija, presione el botón en el gatillo y tire del dispositivo hacia afuera. La tapa de cierre automático del tomacorriente, puede necesitar presionarse manualmente para asegurar su rango óptimo de hermeticidad.

Rangos de Protección conta el Ingreso de Agua

Los tomacorrientes y clavijas de MELTRIC tienen clasificación IP 65 para protección contra el ingreso de agua, polvo y otras substancias. La protección IP 65 proporciona protección total contra polvo y chorros de agua. Estos rangos se logran cuando el tomacorriente y clavija están conectados. También aplica al tomacorriente por separado, cuando la tapa esta completamente serrada y bloqueada por el gatillo. Se pueden suministrar tapones opcionales para las clavijas, para proporcionar una protección IP 65 cuando la clavija se encuentra desconectada.

Provisiones de Bloqueo

Todos los tomacorrientes de la serie DX se proporcionan con provisiones para bloqueo con candado. Para aplicar, inserte el perno con 3 barrenos a través del barreno debajo del gatillo. El usuario en sitio proporcionará el candado o etiquetado para colocarlo a través de los orificios. Este sistema se puede usar para bloquear los dispositivos conectados para prevenir desconexiones no deseadas o para evitar la conexión de dispositivos, asegurando la tapa del tomacorriente completamente cerrada.

AVISO: Colocar el dispositivo de bloqueo con la tapa abierta, no evitará que se inserte la clavija. El bloqueo solo se logra cuando la tapa está completamente cerrada

MANTENIMIENTO

ADVERTENCIA Antes de hacer alguna inspección, reparación o mantenimiento a productos MELTRIC, desconecte la alimentación eléctrica del tomacorriente, para eliminar cualquier riesgo de descarga eléctrica. Cualquier sustitución de componentes de los dispositivos DX, deberá realizarse bajo el control del fabricante: MELTRIC Corporation.

Los productos MELTRIC, requieren de poco mantenimiento, sin embargo es una buena práctica el realizar periódicamente las siguientes inspecciones generales:

- Revise el apriete de los tornillos de montaje.
- Verifique que el peso del cable este soportado en el relevador de esfuerzos y no en las terminales de conexión.
- Revise el desgaste y ajuste del empaque IP. Intercambio según se requiera.

- Verifique la continuidad eléctrica del circuito de tierra.
- Revise la limpieza y desgaste de la superficie de los contactos de la clavija.

Depósitos de polvo o materiales ajenos similares pueden ser removidos con un trapo limpio. No debe usarse Aerosoles por que atraen suciedad. Si es encontrado un desgaste severo en los contactos o cualquier otro daño serio, el dispositivo deberá de ser reemplazado.

DECLARACIÓN DE CONFORMIDAD

La serie de tomacorrientes/clavijas DX, utilizan la tecnología **MARECHAL**. Se han diseñado, fabricado y controlado, en estricto respeto a los estándares, leyes y normas Europeas e Internacionales aplicables y en particular a la Norma Europea ATEX. Llevan el marcado CE cuando es aplicable. También incluyen el marcado (Ex) de su clasificación a prueba de explosión.

Nota: El marcado CE, no aplica para refacciones y componentes suministrados por separado.

RESPONSABILIDAD DEL FABRICANTE

La responsabilidad de MELTRIC está limitada estrictamente a la reparación y/o reemplazo de cualquier producto que no cumpla con la garantía especificada en el contrato de compra. MELTRIC no puede ser responsabilizado por fallas, daño a consecuencia de la perdida de producción o cualquier perdida financiera en la que incurra el cliente.

MELTRIC Corporation no puede ser responsabilizado cuando sus productos son utilizados en conjunto con otra marca que no tenga la marca registrada **MARECHAL**. El uso de dispositivos acoplables que no tengan la marca registrada **MARECHAL** invalidará toda garantía en el producto.

MELTRIC Corporation es una compañía certificada ISO 9001. Sus productos están diseñados, manufacturados y certificados de acuerdo con las normas aplicables de UL, CSA e IEC. MELTRIC diseña y manufactura sus productos conforme las normas de configuración establecidas por Marechal para asegurar su compatibilidad con productos con rangos similares manufacturados por Marechal Electric Group.

MARECHAL ELECTRIC

CE – Déclaration de conformité
EC – Declaration of conformity

Nous / we

MARECHAL ELECTRIC S.A.
5, avenue de Presles
F-84417 SAINT-MAURICE Cedex - France
Tel : +33 (0)1 45 11 50 00
Fax : +33 (0)1 45 11 50 80
E-mail : contact@marchal.com

Déclarons que nos produits / declare that our products:

Type	Intéret	Marquage	Conformes aux normes suivantes / Conforms with the following standards:
Type	Types	Marking	
DX1	30 A	Ex de IEC: Ex d IIC	EN 60295-1 Part 1 A 1 2007 (Norme possible / Possible standard)
DX3	30 A	-20°C ≤ Ta ≤ +60°C T3 -20°C ≤ Ta ≤ +60°C T3 Ex de IEC: Ex d IIC LCE 05 ATEX 5127	EN 60295-1 Part 1 A 1 2007 (Norme possible / Possible standard)
DX6	30 A	-40°C ≤ Ta ≤ +60°C T3 -40°C ≤ Ta ≤ +60°C T3	EN 60294-1 2009 (7) EN 60294-1 2007
DX9	30 A	-40°C ≤ Ta ≤ +60°C T3 -40°C ≤ Ta ≤ +60°C T3 LCE 04 ATEX 6038	EN 60294-1 2007 EN 60294-1 2009 (7)
DX2	200 A	-40°C ≤ Ta ≤ +60°C T3 -40°C ≤ Ta ≤ +60°C T3 Ex de IEC: Ex d IIC LCE 04 ATEX 6038	EN 60294-1 2007 EN 60294-1 2009 (7)

(7) Une étude comparative des normes: EN 60279-0 (version 2003 et 2006), EN 61241-0 (2006) intègre dans la norme EN 60294-1 2009 et EN 61241-0 2004 remplacée par la norme EN 60294-1 2009 montre que le matériel n'est pas concerné par les modifications indiquées.

Señalar que disponemos de la Directiva de Consejo: ATEX N° 94/9/CE de 23 mayo 1994
A TEX N° 94/9/CE de 23 mayo 1994

Année d'apposition de marquage CE: 2005

avec les caractéristiques d'étanchéité suivantes / with the following characteristics: IP65

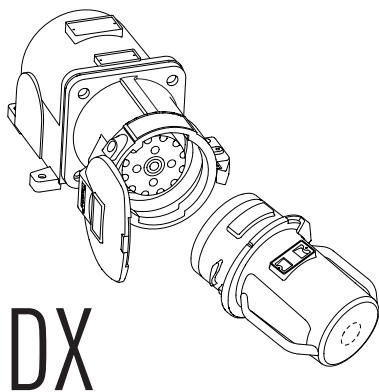
N° de Notification de l'Évaluation relatif à la Qualité: LCE 05 ATEX Q 8001
LCE – 33 Avenue du Général Leduc – 92250 Fontenay-Aux-Roses – France
Quality Assessment / Notification Number: LCE 05 ATEX Q 8001 according to Annex V (version 04) by (MARECHAL) S.A.
N° 0001, LCE, 33 Avenue du Général Leduc – 92250 Fontenay-Aux-Roses – France

Saint-Maurice, 16/10/2012

Anne LE GUENNEC
Responsable ATEX / ATEX Manager

marchal.com

FRANÇAIS CONSIGNES D'UTILISATION



©2018 MELTRIC Corporation. All rights reserved.

INSDX I

A manufacturer of products using Marechal technology



RENSEIGNEMENTS GÉNÉRAUX

Les fiches et prises DX de MELTRIC sont conçues pour un usage industriel, conformément à la norme IEC/EN 60309-1. Elles sont conçues pour une utilisation exigeant une construction métallique solide et une intensité maximale de 100 A. Suivez les instructions ci-dessous pour garantir l'installation et l'utilisation adéquates du produit.

AVERTISSEMENT Les produits électriques présentent des dangers inhérents. Le non-respect des règles de sécurité peut entraîner des blessures graves ou la mort. Les présentes instructions doivent être suivies pour assurer une installation, une utilisation et un entretien adéquats et sécuritaires des appareils MELTRIC. Avant l'installation, débranchez toute source d'alimentation du circuit afin d'éliminer les risques d'électrocution.

CALIBRES ET HOMOLOGATIONS

⚠ Pour utiliser ce produit de façon sécuritaire, l'installateur doit s'assurer que le calibre convient à l'utilisation prévue.

L'intensité, la tension et la température nominales, ainsi que la classification environnementale, sont indiquées sur l'étiquette de l'appareil.

Les fiches et prises DX de MELTRIC sont certifiées ATEX, conformément à la directive européenne ATEX (94/9/EC).

Cette classification ATEX certifie que le produit convient aux utilisations au niveau du sol (non souterraines) exigeant un niveau élevé de protection et où l'atmosphère peut être explosive (environnements des zones 1 et 21). Ce produit peut être installé dans des zones pouvant contenir des gaz, des vapeurs, des brouillards ou des poussières inflammables, y compris des gaz de la subdivision C. Il est doté d'une protection contre les explosions, d'une sécurité augmentée « e » à l'extrémité du conducteur et d'enveloppes antidéflagrantes « d » pouvant résister à la pression exercée par une explosion interne pour établir et couper l'alimentation électrique. Il prévient également la transmission d'arcs électriques, de flammes ou d'autres sources d'inflammation dans l'atmosphère. La température maximale admissible à la surface de l'appareil est de 85 °C (185 °F), à une température ambiante de 40 °C (104 °F).

INSTALLATION

⚠ Les appareils DX doivent être utilisés avec du matériel de calibre approprié et doivent être

installés par un électricien qualifié, dans le respect de tous les codes de l'électricité locaux et nationaux pertinents.

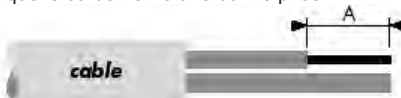
Avant l'installation, vérifiez que 1) l'alimentation est coupée, 2) que le calibre des produits correspond à l'utilisation prévue, et 3) que les conducteurs sont conformes au Code canadien de l'électricité et qu'ils ne dépassent pas les valeurs indiquées dans le **tableau 1** pour les bornes DX.

Dispositif		Contacts principaux	
		Min	Max
DX1	- 20A	14	8
DX3	- 32A	14	8
DX6	- 63A	6	1
DX9	- 125A	2	2/0

¹ Capacité indiquée pour des fils de type THHN

Remarques liées à l'installation et précautions générales

1. Les longueurs de fil dénudé sont indiquées au **tableau 2**. La longueur de câble à dénuder dépend de l'utilisation prévue. Pour fixer un câble à une poignée, assurez-vous que la gaine du câble dépasse à l'intérieur de la poignée pour que le cordon offre une bonne prise.



Dispositif	Conducteur de phase ou neutre	Conducteur de mise à la terre	
		Pouces	mm
DX1	20A	0,79	20
DX3	32A	0,79	20
DX6	63A	1 1/16	27
DX9	125A	1 3/8	35

2. Les bornes de raccordement sont dotées de ressorts pour empêcher la formation d'un jeu causée par le déplacement des torons, les vibrations et les cycles thermiques. **MISE EN GARDE** : Elles ne doivent pas être trop serrées. Le **tableau 3** indique les outils à utiliser et les couples de serrage appropriés. Le raccordement doit être effectué selon les normes d'installation nationales applicables. Suivez toutes les normes liées au codage des conducteurs et au marquage des bornes. Dévissez les bornes de raccordement juste assez pour permettre l'insertion complète des conducteurs. ⚠ Toutes les pièces métalliques doivent être mises à la terre.

Dispositif/Contact	Couple de serrage requis		Tournevis plat
	Po-lb	N.m	
DX1 (20 A)	11	1,3	4 x 1 mm
DX3 (32 A)	11	1,3	4 x 1 mm
DX6 (63 A)	26	3	6 x 1,2 mm
DX9 (125 A)	53	6	6 x 1,2 mm

3. Seules les poignées munies de brides de cordon peuvent être utilisées pour conserver les certifications ATEX appropriées.

Suffixe n°	Plage	
	Pouces	mm
-20M	0,31 à 0,51	8 à 13
-25M	0,35 à 0,63	9 à 16
-32M	0,47 à 0,83	12 à 21
-40M	0,63 à 1,06	16 à 27
-50M	0,91 à 1,38	23 à 35
-63M	1,42 à 1,89	36 à 48

Assemblage des fiches/connecteurs en série

⚠ Ne serrez pas trop les vis des bornes et les vis autotaraudeuses. Serrez les vis au couple approprié pour assurer une bonne connexion.

Insérez le câble dans la poignée (connecteur) ou retirez la forme interne de la fiche à partir de l'avant et insérez le câble dans le corps de la fiche. En vous assurant que le serre-câble retient bien la gaine du câble, dénudez le câble de sa gaine de manière à obtenir une longueur suffisante pour travailler. Dénudez chaque fil en respectant les longueurs indiquées dans le **tableau 2**, puis entortillez les torons de chaque conducteur. Dévissez partiellement les bornes de raccordement de la prise, juste assez pour permettre le passage des conducteurs. Insérez complètement chaque conducteur dans la borne appropriée et serrez les bornes à l'aide d'un tournevis en respectant les couples indiqués au **tableau 3**. Assurez-vous que la gaine du câble dépasse le niveau du serre-câble et pénètre dans la poignée. Assemblez la prise (ou le connecteur) à la poignée. Réglez la position du câble de manière à ce qu'il ne soit pas tendu dans la poignée, puis serrez l'écrou de compression pour fixer le câble en place. Après l'assemblage, la gaine du câble doit pénétrer dans la poignée. Assemblez la poignée avec les vis et le joint (connecteur) fournis ou assemblez la forme interne dans le boîtier de la fiche (fiche) et serrez la bride de cordon (goupille de câble). Les plages de serrage des brides de cordon sont indiquées au **tableau 4**. Les conducteurs à l'intérieur de la poignée ne doivent pas être serrés pendant le serrage ou l'ancrage.

MISE EN GARDE : L'utilisation de câbles en PVC n'est pas recommandée pour réaliser un serrage approprié.

Assemblage des prises montées

Lorsque les prises DX sont installées dans des boîtiers muraux, sur des panneaux ou sur un autre équipement, il faut, pour assurer un fonctionnement optimal, que le verrou du bouton-poussoir se trouve sur le dessus. (Toutefois, si la prise est installée sur le boîtier de montage en surface MELTRIC, le verrou du bouton-poussoir se trouvera en dessous en raison de l'orientation verticale de l'assemblage boîtier/prise.)

MISE EN GARDE : Si l'appareil DX est installé sur un boîtier mural, assurez-vous que tous les orifices de connexion inutilisés sont fermés avec des bouchons bien serrés.

Tous les fils insérés dans un boîtier mural MELTRIC, ou dans un boîtier ou panneau dans un environnement dangereux, doivent être branchés dans le respect de tous les codes de l'électricité locaux et nationaux selon la classe de l'emplacement dangereux. Dénudez chaque fil à partir de la base en respectant les longueurs indiquées dans le **tableau 2**. Puis, entortillez les torons de chaque conducteur. Dévissez partiellement les bornes de raccordement de la prise, juste assez pour permettre le passage des conducteurs, et insérez complètement chaque conducteur dans la borne appropriée. Serrez les bornes de raccordement à l'aide d'un tournevis en respectant les couples indiqués au **tableau 3**. Assemblez la prise sur l'adaptateur ou le boîtier mural à l'aide des vis et des joints fournis. Lorsque la prise n'est pas utilisée, assurez-vous que le couvercle ou le bouchon protecteur fourni est verrouillé afin de prévenir la contamination environnante. Fixez la fiche à l'extrémité du cordon, comme l'indiquent les directives d'assemblage en série. Dans le cas d'un montage sur mesure dans un panneau ou un boîtier dans un environnement dangereux, les dégagements et les trous de fixation doivent respecter les dimensions indiquées à la section suivante (Dimensions des trous pour montage sur mesure).

Dimensions des trous pour montage sur mesure

MISE EN GARDE : Pour conserver l'indice de protection IP65 avec une installation personnalisée, vous devez insérer des joints étanches sous les têtes des quatre boulons de montage puis les immobiliser à l'aide d'une rondelle de blocage et d'un écrou vissés à l'intérieur du boîtier ou derrière le panneau. La profondeur du trou doit être suffisante pour permettre

une compression adéquate des joints. Consultez les instructions et les illustrations suivantes pour l'assemblage des fiches/prises sur des boîtiers, des panneaux ou des enceintes à sécurité augmentée « e » :

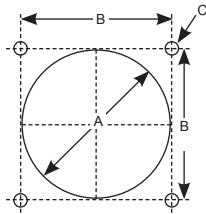


Tableau 5 – Dimensions pour montage sur mesure

Dispositif	A		B		C	
	Pouces	mm	Pouces	mm	Pouces	mm
DX1	4,3	109	3,62	92	1/4	M6
DX3	4,3	109	3,62	92	1/4	M6
DX6	5,9	150	4,80	122	5/16	M8
DX9	5,9	150	4,80	122	5/16	M8

UTILISATION

⚠ Pour assurer une utilisation sécuritaire et fiable, les fiches et prises DX de Meltric doivent être utilisées conformément à leur calibre, leur catégorie de protection contre les explosions et leur indice de protection selon la norme IEC/EN 60309-1.

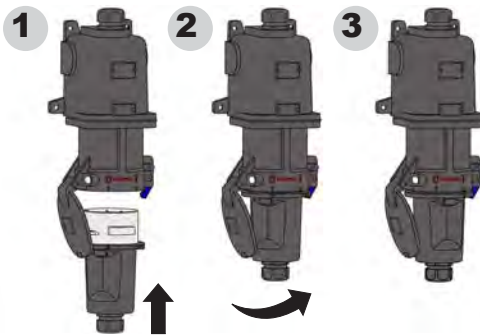
Elles peuvent uniquement être utilisées avec des fiches ou des prises fabriquées par Meltric ou un autre fabricant de produits portant la marque **MARECHAL**.

Les fiches et prises Meltric sont offertes avec différentes configurations de contacts, de manière à ce que seules les prises et fiches dont les contacts et les calibres sont compatibles puissent être connectées. Les prises non utilisées sont munies d'un couvercle de protection afin de prévenir la pénétration de poussière ou d'humidité. Le couvercle est retenu en position fermée par un verrou.

Branchement

Pour brancher une fiche et une prise, appuyez d'abord sur le bouton-poussoir pour ouvrir le couvercle de la prise. Orientez ensuite la fiche de manière à ce que le repère coloré sur le rebord extérieur du boîtier de la fiche soit aligné avec le Ø ou le symbole de déverrouillage sur le boîtier de la prise. Enfoncez partiellement la fiche dans la prise jusqu'à ce qu'elle se verrouille en place (figure 1). À cette étape, le circuit est toujours ouvert. Pour fermer le circuit, tournez la fiche d'environ 30° en sens horaire (figure 2) jusqu'à ce qu'elle s'arrête de nouveau. **ENFONCER LA PRISE JUSQU'AU FOND.** Figure 3.

MISE EN GARDE : Lors du branchement, assurez-vous que le verrou de la fiche est bien retenu par le loquet du bouton-poussoir. Si la fiche est bien branchée, il n'est pas possible de la débrancher en tirant dessus.



Débranchement

Pour couper le courant, appuyez sur le bouton-poussoir et la prise s'éjectera pour se verrouiller en place. Cette manœuvre aura pour effet d'ouvrir le circuit. Pour débrancher complètement la prise, tournez la fiche d'environ 30° en sens antihoraire et retirez l'appareil. Il pourrait être nécessaire de verrouiller manuellement les couvercles à fermeture automa-

tique de la prise pour garantir une classification environnementale optimale.

Étanchéité nominale

Les fiches et prises DX de Meltric sont classifiées IP65 pour la protection qu'elles offrent contre l'infiltration d'eau, de poussière ou d'autres substances. L'indice de protection IP65 offre une protection complète contre la poussière et les jets d'eau. Ces protections sont actives quand la fiche est branchée dans la prise. La prise seule offre les mêmes protections lorsque le couvercle est fermé et verrouillé. Des couvercles optionnels pour fiches sont offerts pour assurer la protection IP65 lorsque la fiche n'est pas branchée.

DISPOSITIFS DE VERROUILLAGE

Tous les réceptacles DX sont fournis avec un dispositif permettant le cadenassage. Insérer une tige à 3 trous dans l'orifice sous le bouton d'éjection. Placez le morillon de verrouillage ou de cadenassage fourni dans l'un des trous. Ce système peut être utilisé pour prévenir soit les débranchements par inadvertance d'appareils branchés soit le branchement des appareils en verrouillant le couvercle de la prise en position fermée.

MISE EN GARDE : L'utilisation d'un cadenas lorsque le couvercle de la prise est ouvert n'empêchera pas l'insertion d'une fiche. Le couvercle doit être fermé et verrouillé pour permettre le cadenassage de la prise.

ENTRETIEN

AVERTISSEMENT Avant de procéder à l'inspection, à la réparation ou à l'entretien de produits Meltric, coupez l'alimentation électrique de la prise pour éliminer tout risque de décharge électrique. Le remplacement de tout composant DX doit être effectué sous la supervision du fabricant : MELTRIC Corporation.

Les produits Meltric nécessitent peu d'entretien. Cependant, il est recommandé d'effectuer périodiquement les inspections suivantes :

- S'assurer que les vis de montage sont bien serrées.
- S'assurer que le poids du câble est supporté par le serre-câble, et non par les bornes.
- Vérifier l'état et l'usure des joints IP. Les remplacer au besoin.
- Vérifier la continuité électrique du circuit de mise à la terre.
- Examiner les surfaces de contact pour s'assurer de leur propreté et de l'absence de piqûres.

Utilisez un linge propre pour enlever les dépôts de poussière ou de corps étrangers. N'utilisez pas de produits en vaporisateur, car ils ont tendance à ramasser la saleté. En cas de piqûres importantes sur les contacts ou d'autres dommages graves, remplacez l'appareil.

DÉCLARATION DE CONFORMITÉ

Les fiches et prises DX utilisent la technologie **MARECHAL**. Elles ont été conçues, fabriquées et testées dans le respect rigoureux des normes, lois et directives internationales et européennes applicables, particulièrement de la directive européenne ATEX. Elles portent la marque CE, le cas échéant, et la marque correspondant à leur catégorie de protection contre les explosions (Ex).

Remarque : La marque CE ne s'applique pas aux pièces de rechange et aux composants fournis séparément.

RESPONSABILITÉ DU FABRICANT

La responsabilité de Meltric se limite strictement à la réparation ou au remplacement de tout produit non conforme à la garantie précisée dans le contrat d'achat. Mel-

tric ne peut être tenue responsable des pénalités ou des dommages indirects découlant d'une perte de production, de travail, de bénéfices, ou de toute perte financière subie par le client.

Meltric Corporation ne peut être tenue responsable lorsque ses produits sont utilisés avec d'autres produits qui ne portent pas la marque de commerce **MARECHAL**. Le branchement de produits Meltric dans des produits qui ne portent pas la marque de commerce **MARECHAL** a pour effet d'annuler toutes les garanties du produit.

Meltric Corporation possède la certification ISO 9001. Ses produits sont conçus, fabriqués et classés selon les normes UL, CSA et IEC applicables. Meltric conçoit et fabrique ses produits selon les normes de configurations des contacts de Marechal établies pour garantir la compatibilité de ses produits avec les produits de classes similaires fabriqués par Marechal Electric Group.

MARECHAL ELECTRIC CE – Déclaration de conformité
EC – Declaration of conformity

Nous / we
MARECHAL ELECTRIC S.A.
 5, avenue de Preles
 F-94417 SAINT-MAURICE Cedex - France
 Tel : +33 (0)1 45 11 80 80
 Fax : +33 (0)1 45 11 80 80
 E-mail : contact@marechal.com

Choisissez qui vos produits / Choose what your products
 Prises de courant industrielles / Industrial plugs and sockets

Type	Intensité	Marquage	Conformes aux normes suivantes / Complies with the following standards:
DX1	32 A	Ex de IC Ex de IC Ex de IC 30°C ≤ Ta ≤ 40°C TS 30°C 35°C ≤ Ta ≤ 40°C TS 35°C LCE 05 ATEX 9127	EN 60309-1 (1) et A1 (2007) (Norme produit / Product standard)
DX3	32 A	Ex de IC Ex de IC Ex de IC 30°C ≤ Ta ≤ 40°C TS 30°C 35°C ≤ Ta ≤ 40°C TS 35°C LCE 04 ATEX 9038	EN 60309-1 (2007) (1) EN 60309-1 (2007) (1) EN 60309-1 (2007) (1)
DX6	125 A	Ex de IC Ex de IC Ex de IC 30°C ≤ Ta ≤ 40°C TS 30°C 35°C ≤ Ta ≤ 40°C TS 35°C LCE 04 ATEX 9038	EN 60309-1 (2007) (1) EN 60309-1 (2007) (1) EN 60309-1 (2007) (1)
DX9	125 A	Ex de IC Ex de IC Ex de IC 30°C ≤ Ta ≤ 40°C TS 30°C 35°C ≤ Ta ≤ 40°C TS 35°C LCE 04 ATEX 9038	EN 60309-1 (2007) (1) EN 60309-1 (2007) (1) EN 60309-1 (2007) (1)

(1) Une étude comparative des normes : EN 60309-1 (version 2007 et 2009) EN 61241-0 : 2006 intégrée dans la norme EN 60309-1 : 2009 et EN 61241-1 : 2004 remplacée par la norme EN 60309-1 : 2009 montre que le matériel n'est pas concerné par les modifications substantielles.
 A comparative study of the standards : EN 60309-1 (version 2007 and 2009) EN 61241-0 : 2006 integrated in the standard EN 60309-1 : 2009 and EN 61241-1 : 2004 replaced by the standard EN 60309-1 : 2009 shows that the material is not concerned by the substantial modifications.

Sélectionnez une disposition de la Directive du Conseil : ATEX N° 94/9/CE du 23 mars 1994
 Select the arrangement in the Council Directive : ATEX N° 94/9/CE of 23 March 1994

Année d'application de marquage CE
 Marking year of CE marking : 2008

avec les caractéristiques d'étanchéité suivantes / with the following gasketing characteristics : IP65

N° de Notification de l'évaluation relatif à la Qualité : LCE (0) ATEX Q 8001 selon l'Annexe II/ selon le programme PCMA N° 0001
 LCE - 33 avenue du Général Leclerc - 92020 Fontenay-Aux-Roses - France
 Quality Assessment Notification Number : LCE (0) ATEX Q 8001 according to Annex II/ selon el programa PCMA N° 0001
 LCE - 33 avenue du Général Leclerc - 92020 Fontenay-Aux-Roses - France

Saint-Maurice, 16/11/2012

Anné LE GUENIEC
 Responsable ATEX / ATEX Manager

marechal.com